

ZOOMLION TRUCK CRANE ZTC550R532



ZOOMLION

Zoomlion Heavy Industry Science & Technology Co.,Ltd.

Add: No.677, Lugu Road, Zoomlion Industrial Park, Changsha, Hunan, China, 410205

Copyright©2019 Zoomlion. All rights reserved. Reproduction and copying of any part of contents is not allowed for any purposes without Zoomlion's approval.

Product specifications are subject to change without notice and obligation. The photographs and/or drawing in this document are for illustrative purposes only. Please consult your local ZOOMLION dealer for more information.



websiteen.zoomlion.com

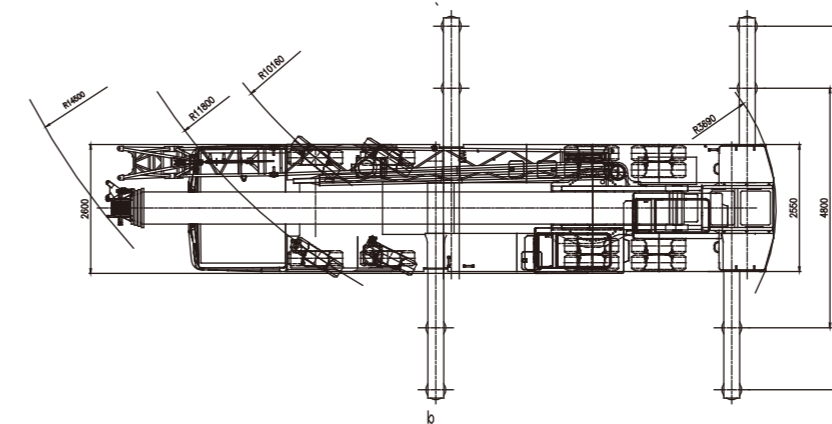
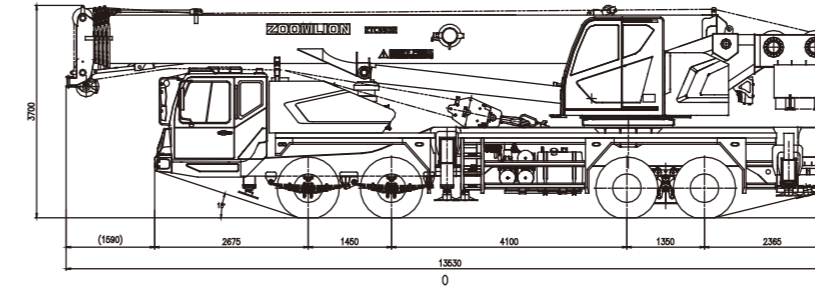
ZOOMLION

4.0
PRODUCTS

CONTENTS

CRANE DIMENSIONS	2
CRANE AND COMPONENT WEIGHTS	2
LIFTING HEIGHT CURVE	3
LIFTING CAPACITY TABLES	3-4
TECHNICAL SPECIFICATIONS	5
MAIN TECHNICAL PARAMETERS	6

CRANE DIMENSIONS



CRANE AND COMPONENT WEIGHTS

Axle	1	2	3	4	Total weight
T	6.5	6.5	13	13	39

Note: Total weight of 39T in driving condition does not include 1.5 auxiliary counterweight.

Hook Detailed Description

Hook Load T	No. of Sheaves	No. of Lines	Weight Kg	Remark
55	6	11	510kg	standard
4	-	1	120kg	standard

Working speed

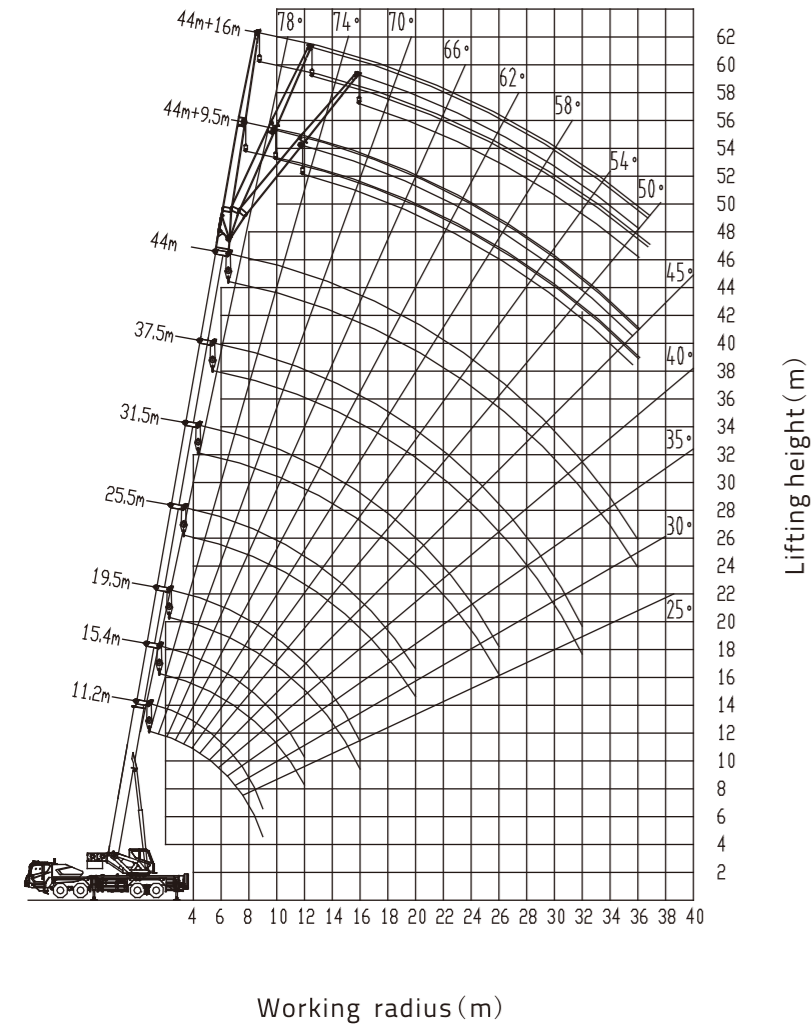
12R22.5-18PR 11.00-20-18PR (optional)	km/h max. MAX.	40	9 / R1
	74		

Drive	Operation Speed	Rope diameter/length	Max. single line pull
1	135m/min	Φ17mm/200m	5000Kg
2	120m/min	Φ17mm/130m	5000Kg
360	0 ~ 2.2r/min		
45/120s			
95/95s			

Counterweight

Counterweight	Size(L*W*H) mm	Weight T	5.5T	7T
A	2500X1100X650	5.5	1	
B	2446X1046X200	1.5	1	1

LIFTING HEIGHT CURVE



LIFTING CAPACITY TABLES

Working Radius (m)	Main boom (m)						
	Telescopic cylinder I and outriggers completely extended, over sides and rear, with 7 T counterweight assembled.						
	11.2	15.4	19.5	25.5	31.5	37.5	44
2.5	55000*						
3.0	50000*	35000					
3.5	35000	34500	28000				
4.0	34500	34000	28000	23000			
4.5	33500	33000	28000	23000			
5.0	32000	31500	27000	23000			
5.5	29000	28500	25500	22000	18000		
6.0	26000	26000	24000	21000	17200		
6.5	24000	24000	22500	20000	16600		
7.0	22000	21500	21000	19000	16000	12500	
8.0	18200	18500	19000	17000	14500	11700	
9.0	14500	15300	15800	15200	13300	11000	8500
10.0		13000	12800	13800	12100	10400	8200
11.0		10800	10600	11600	11100	9800	7900
12.0		9100	8900	9900	10200	9200	7600
13.0			7500	8500	9200	8400	7200
14.0			6400	7400	8000	7800	6800
15.0			5500	6400	7000	7200	6400
16.0			4700	5600	6200	6600	6000
18.0				4300	4900	5200	5200
20.0				3300	3900	4200	4500
22.0					3100	3400	3700
24.0					2400	2750	3050
26.0					1900	2200	2500
28.0						1750	2050
30.0						1350	1650
32.0						1050	1350
34.0							1050
36.0							800
I (m)	0	4.2	8.3	8.3	8.3	8.3	8.3
II (m)	0	0	0	6	12	18	24.5
Reeving	10	8	7	6	5	3	3
Hook							55t

The working condition marked with asterisk (*) indicates that the number of lines is 11 and a special device should be installed when the lifting load is equal to or more than 50 t.

LIFTING CAPACITY TABLES

Working Radius (m)	Main boom (m)						
	Telescopic cylinder I and outriggers completely extended, over sides and rear, with 5.5 T counterweight assembled						
	11.2	15.4	19.5	25.5	31.5	37.5	44
2.5	50000*						
3.0	42000	35000					
3.5	35000	34500	28000				
4.0	34500	34000	28000	23000			
4.5	33500	33000	28000	23000			
5.0	32000	31500	27000	23000			
5.5	29000	28500	25500	22000	18000		
6.0	26000	26000	24000	21000	17200		
6.5	24000	24000	22500	20000	16600		
7.0	22000	21500	21000	19000	16000	12500	
8.0	18200	18500	18500	17000	14500	11700	
9.0	14500	14800	14800	15200	13300	11000	8500
10.0		12100	12000	13000	12100	10400	8200
11.0		10000	9900	10900	11100	9800	7900
12.0		8400	8200	9200	9900	9200	7600
13.0			6900	7900	8500	8400	7200
14.0			5800	6800	7400	7800	6800
15.0			5000	5900	6500	6900	6400
16.0			4200	5100	5700	6100	6000
18.0				3800	4400	4800	5200
20.0				2900	3500	3900	4200
22.0					2700	3100	3400
24.0					2100	2500	2800
26.0					1600	1950	2250
28.0						1500	1750
30.0						1100	1350
32.0						800	1050
34.0							800
36.0							550
I (m)	0	4.2	8.3	8.3	8.3	8.3	8.3
II (m)	0	0	0	6	12	18	24.5
Reeving	10	8	7	6	5	3	3
Hook							55t

The working condition marked with asterisk (*) indicates that the number of lines is 11 and a special device should be installed when the lifting load is equal to or more than 50 t.

Boom angle (°)	Main boom (m) + Jib (m) Outriggers completely extended, with 7 T counterweight					
	44 + 9.5			44 + 16		
	0°	15°	30°	0°	15°	30°
80	4000	2800	2000	2500	1600	1200
78	3800	2600	1900	2400	1550	1150
76	3500	2450	1800	2200	1450	1100
74	3200	2200	1750	2000	1400	1050
72	2900	2050	1700	1900	1350	1000
70	2600	2000	1600	1750	1250	950
68	2400	1900	1550	1600	1200	950
66	2300	1800	1500	1500	1150	900
64	2200	1700	1400	1400	1100	850
62	2050	1600	1350	1300	1050	850
60	1900	1550	1300	1250	1000	800
58	1700	1450	1250	1150	950	800
56	1500	1350	1200	1050	900	800
54	1300	1200	1100	900	800	750
52	1100	1000	950	750	700	650
50	900	850	800	600	550	500
45	550	500				
Reeving						1
Hook						4t

TECHNICAL SPECIFICATIONS

Crane Superstructure

Main boom	5 section U-shaped main boom, made of high-tensile steel plate. Main boom length: 11.2m-44m
Jib	2 section lattice jibs(9.5m,16m), offset : 0° ,15° ,30°
Winch	Main winch and auxiliary winch with variable displacement piston motors and planetary reducers.
Slewing gear	Hydraulic fixed displacement motor, planetary reducer and slewing bearing
Hydraulic system	Hydraulic proportional pilot control system with four gear pumps. Hydraulic tank 686 liters.
Electrical system	DC 24V, with variable safety devices, such as limit switch, horn, emergency stop button etc.
Operator's cab	New cab with spacious room and man-machine friendly layout offers a comfortable operating experience. Standard tiltable function, AC and heater.
Safety devices	LMI, limit switch, relief valve, emergency stop button etc.
Counterweight	7T total counterweight, 5.5T fixed counterweight and 1.5T auxiliary counterweight.

Crane Carrier

Chassis frame	Made by ZOOMLION with high-tensile steel plate.
Outrigger	2 stage H-type outriggers with wide spread 7.3m(W)*5.95m(L). 5th outrigger.
Engine	WEICHAH WP10.336 diesel engine, output 247KW, max. torque 1300N*m. Fuel tank 300 liters.
Transmission	FAST mechanical gear box with 9 forward gears and 1 reverse gear.
Axles	Front 2 axles are steering and last 2 axles are driving.
Suspension	Front axle leaf steel spring suspension and rear axle V-shaped rubber suspension.
Steering	Front 2 axles steering with power steering assistant system.
Brake	Service brake, parking brake and emergency brake.
Tires	Total 12 tires with one spare tire, tire size: 12R22.5-18PR, 11.00-20-18PR (optional) .
Driver's cab	Modern and luxury driver's cab with man-machine friendly layout offers a comfortable operating experience. AC and heater.

MAIN TECHNICAL PARAMETERS

Item		Value	Remarks
Working performance	Max. rated lifting capacity	kg	55000
	Max. load moment of basic boom	kN.m	1568
	Max. load moment of Max. length main boom	kN.m	940.8
	Max. lifting height of basic boom	m	11.8
	Max. lifting height of main boom	m	44
	Max. lifting height of jib	m	60
Working speeds	Max. hoist rope speed (Main winch)	m/min	135
	Max. hoist rope speed (Auxiliary winch)	m/min	120
	Boom derricking up time	s	45
	Boom telescoping out time	s	95
	Slewing speed	r/min	0 - 2.2
Driving	Max. working altitude	m	2000
	Max. driving speed	km/h	74
	Max. gradeability	%	40
	Min. turning diameter	m	≤ 24
	Min. ground clearance	mm	260
	Oil consumption per hundred kilometer	L	40
Weight	Deadweight in driving condition	kg	39000
	Complete vehicle kerb mass	kg	38805
	Front axle load	kg	13000
	Rear axle load	kg	26000
Dimension	Overall dimensions (L×W×H)	mm	13530×2600×3700
	Outrigger spread (W)	m	7.3
	Outrigger spread (L)	m	5.95
	Outrigger spread (W) (Intermediately extended)	m	4.8
	Tail slewing radius	mm	3690
	Main boom length	m	11.2 - 44
	Main boom angle	°	-2 - 80
	Jib length	m	9.5,16
Offset	°	0,15,30	